

260W MOVING HEAD LIGHT

SUPER BEAM 260 MJ-1260



User Manual

=====PROFESSIONAL STAGE LIGHTING =====

Thank you for choosing our beam moving head light. For the sake of your safety, Please read and follow these instructions carefully and keep this manual in a safe place for future reference.

Catalogue

Chapter	Page
Safe Usage Of The Product -----	1
Install The Equipment -----	2
Fitting The Lamp-----	2
Power Code Connection -----	3
DMX Connection -----	3
DMX Terminator -----	4
Function Set -----	4
Operation Menu -----	5
Maintenance -----	8
Keeping The Product Clean -----	8
Trouble Shooting-----	8
Equipment and Appendix-----	9
Channel List-----	9
Technical Parameters-----	13

☆Important notice:

- In this instruction for use contains about the installment and the use aspect important information of the beam moving head. When installing and using, you need to look this usage instruction strictly.
- Before open the beam moving head and if you want to do the repair work, please make sure the power source is at the separation condition.
- Every unit is tested completely and packed properly by the manufacturer. Please make sure the packing and the unit are in good condition before installation and use. Should there be any damage caused by transportation, consult your dealer and do not use the unit. Any damage caused by improper use will not be assumed by the manufacturer or dealer.

Attention: Unceasingly carries on the product improvement about our company the policy, in this instruction booklet carries the data will have the possibility to be able to change in the future, when no longer separate notice change matters concerned. Our company retains when the product improvement changes the related specification the authority.

SAFE USAGE OF THE PRODUCT

When unpacking and before disposing of the carton, check there is no transportation damage before using the product. Should there be any damage caused by transportation, consult your dealer and do not use the apparatus.

The product is for indoor use only, IP20. Use only in dry locations. Keep this device away from rain and moisture, excessive heat, humidity and dust. Do not allow contact with water or any other liquids.

The product is not designed or intended to be mounted directly on to inflammable surfaces. The product is only intended for installation, operation and maintenance by professional person.

The product must be installed in a location with adequate ventilation, at least 50cm from adjacent wall surfaces. Be sure that no ventilation slots are blocked.

Do not product the beam onto inflammable surfaces, minimum distance is 12m.

Avoid direct exposure to the light from the lamp. The light is harmful to the eye.

Do not attempt to dismantle or modify the projector in any way.

Electrical connection must only be carried out by qualified personnel.

Before installation, ensure that the voltage and frequency of power supply match the power requirements of the projector.

It is essential that each projector is correctly earthed and that electrical installation conforms to all relevant standards.

Do not connect this device to any other types of dimmer apparatus.

Make sure that the power-cord is never crimped or damaged by sharp edges. Never let the power-cord come into contact with other cables. Only handle the power-cord by the plug. Never pull out the plug by tugging the power-cord.

Keep the light clean. Do not touch the light glasss with bare hands.

The product should always be installed with a secondary safety fixing. On the projector base brink, there is a hole for the safety cord provided. It should be attached as shown in "installing the projector" section.

The lamp used in this projector is a discharge lamp. After switching off don't attempt to restart the projector until lamp has cooled, this will require approx 15 minutes. Switching the lamp on and off at short intervals will reduce the life of both the lamp and the projector. But occasional breaks will prolong the life of the lamp and projector.

Never run the projector without a lamp.

The light shall be changed if it has become damaged or thermally deformed or reached its life limit.

Shields and lens shall be changed if they have become visibly damaged to such an extent than their effectiveness is impaired, for example by cracks or deep scratches.

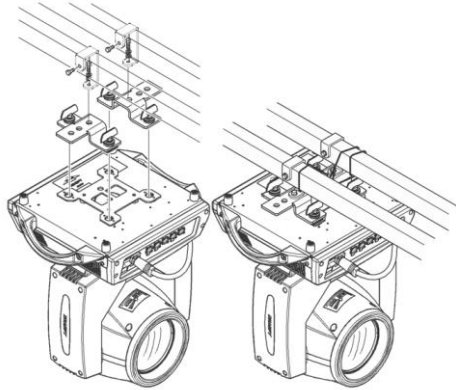
Exterior surface temperatures of the luminaire after 5 minutes operation is 70° °, when steady state is achieved 140° °.

There is no user serviceable parts inside the projector, do not open the housing and never operate the product with the covers removed.

If you have any questions, don't hesitate to consult your dealer or manufacturer.

★Always disconnect from the mains, when the device is not in use or before cleaning it or before attempting any maintenance work !

Install The Equipment:



Use 2pcs clamp and 1safety cord(need to purchase).Use clamp fix with light hook which in the packing box with light, then use screw install to the bottom of lamp. Hang the fixture on the structure and fasten the screws attached to each clamp. Make sure the light is installed reliable, and confirm the light which you fixed is strong enough for hanging the light. Base on safety reason, please according to the above picture using safety wire cross the light to make it strong enough again.

Warning!

1. Unlock the PAN and TILT before the 1st application of the light for safety.
2. Hook and clamp only use for hanging the light. Do not use clamp as a tool to move fixtures.
3. Base on safety reason, please use the safety cord which can afford the weight ten times of lamp through Insurance hole for auxiliary hanging.
4. Don't use the handle of the moving head light to fixed or lift!

Fitting The Lamp:

.Loosen 8 fast-fit screws and remove the plastic cover, when fitting/replacing the lamp.
.Do not touch the bulb of the new lamp with bare hand so as not to influence the beam output.
.Do not harm the sticking out point of the lamp during its installation.
.Fit new lamp and close the plastic cover by 8 fast-fit screws when finished lamp installation.
.Lamp work will reach a very high temperature, Vapor discharge lamp can not continue to supply this physical characteristics, therefore, the power completely cool for 20 minutes before on the operation. Failure to do so will lead to a high-pressure discharge and short circuit burned out the computer's control panel components.

Notes: Unplug the light from power before lamp installation or replacement and wait for it to cool.

Power Code Connection:

Connect the power cord as follows:

- L (live) =brown
- E (earth) =yellow/green
- N (neutral) =blue

Use the plug provided to connect the mains power to the projector paying attention to the voltage and frequency marked on the panel of the projector. It is recommended that each projector be supplied separately so that they may be individually switched on and off.

★It is essential that each projector is correctly earthed and the electrical installation conforms to all relevant standards.

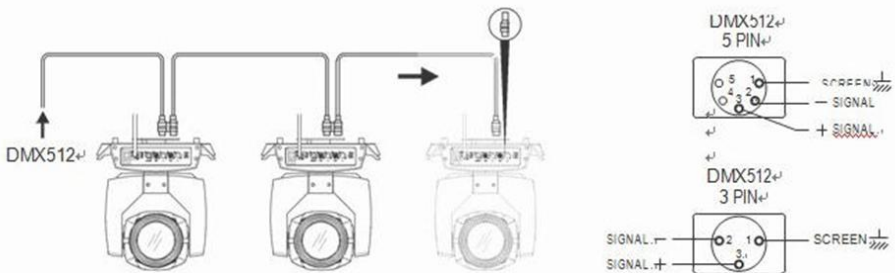
★Please do NOT connect the power cable hand by hand over 2pcs.

DMX Connection:

Connection between the controller and a projector and between one projector and another must be made with a 2 core-screened cable, with each core having at least a 0.5mm diameter. Connection to and from the projector is via cannon 3 pin (which are included with the projector) XLR plugs and sockets. The XLR's are connected as shown in the figure above.

Note: Care should be taken to ensure that none of the pins touch the metallic body of the plug or each other. The body of the plug is not connected in any way. The XLED 590 accepts digital control signals in protocol DMX512 (1990).

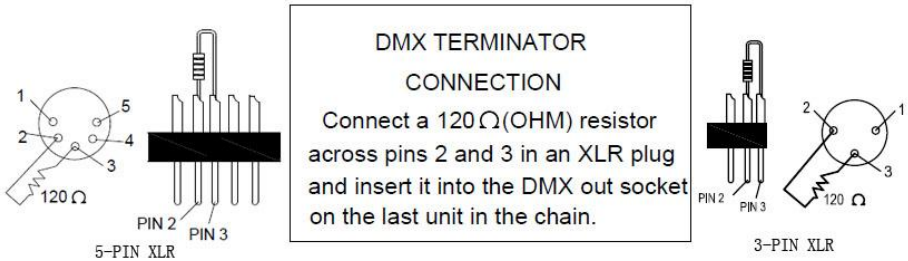
Connect the controller's output to the first fixture's input, and connect the first fixture's output to the second fixture's input and connect the rest fixtures in the same way. Eventually connect the last fixture's output to a DMX terminator as shown in the figure below.



DMX Terminator:

In the Controller mode, at the last fixture in the chain, the DMX output has to be connected with a DMX terminator. This prevents electrical noise from disturbing and corrupting the DMX control signals.

The DMX terminator is simply an XLR connector with a 120Ω (ohm) resistor connected across pins 2 and 3, which is then plugged into the output socket on the last projector in the chain. The connections are illustrated below.



Function Set(The main board as shown below:)



DMX	DMX signal indicator
ERR	Err indicator
Up	Menu up selection
Down	Menu down selection
Left	Menu left selection/return
Right	Menu right selection
OK	Confirm button

Operation Menu:

➤ Menu Structure chart

Main Menu

Sub Menu

Main Menu	Submenu 1	Submenu 2	Function SET	Function description
DMX Address			1-512	DMX address setting
Display	ShowReve		<u>Natu</u>	Normal display
			Revl	Display reversed 180 degrees
	Language		Chinesse	Chinesse
			<u>English</u>	English
	BrigSett		000-007	Set display brightness
	BackLight		<u>1 minutes</u>	Turn off backlight with 1 minute delay
			5 minutes	Turn off backlight with 5 minute delay
			8 minutes	Turn off backlight with 8 minute delay
			Light	Backlight normally on
	MenuBack		<u>1 minutes</u>	Return to menu with 1 minute delay
			5 minutes	Return to menu with 5 minute delay
			8 minutes	Return to menu with 8 minute delay
			Off	The menu does not automatically return
	BackFlah		<u>Open</u>	The backlight flickers on
			Off	The backlight flickers off
Return		▲	Return to previous menu	
Feature	XY Setup	X reverse	<u>Off</u>	Pan scan normal
			Open	Pan scan Reverse
		Y reverse	<u>Off</u>	Tilt scan normal
			Open	Tilt scan Reverse
		XY Speed	Fast	X Y Speed faster
			<u>Norm</u>	X Y Speed normal
			Solw	X Y Speed slow
		X Angle	360	Pan Angle is 360 degrees
			<u>540</u>	Pan Angle is 540 degrees
			630	Pan Angle is 630 degrees
		XY Fback	Off	X Y Optocoupler detection off
			<u>Open</u>	X Y Optocoupler detection on
ChunMode		▲	Return to previous menu	

	Shorcut		Off	Shorcut is normal
			<u>Open</u>	Shorcut is short
	FullColor		<u>Off</u>	Half color
			Open	Full color
	ChanMode		<u>Stan</u>	Standard mode
			Smal	Small mode(reserve)
			Defe	Custom mode(reserve)
			Exte	Expansion mode(reserve)
	ReceMode		<u>DMX</u>	Received by DMX
			Wire	Received by Wireless
			Auto	Automatic reception
	Run Mode		Slve	Slave mode
			Musc	Sound mode
			Auto	Autorun mode
	SigClear		Off	Hold signal data
			<u>Open</u>	Clear signal data
	DMXReset		Off	Turn off other signal reset
			<u>Open</u>	Turn on other signal control reset
	Return		▲	Return to previous menu
Lampsett	Default		Off	Lamp Off by default
			<u>Open</u>	Lamp On by default
	Control		Off	Lamp Off by hand
			<u>Open</u>	Lamp On by hand
	DMXLamp		Off	Lamp control by signal Off
			<u>Open</u>	Lamp control by signal On
	LampTime		0000-9999	Lamp use time
	Clartime			
	LampStat		Wink	The lamp goes out
			Illum	The lamp light up
	Return		▲	Return to previous menu

Infosee	WorkHour		0000-9999	Power working hours display		
	Times		0000-9999	Power working time display		
	Fan1Rota		0000-9999	Fan1 speed display		
	Fan2Rota		0000-9999	Fan2 speed display		
	Version		HM02	HM02		
	SpareTim		Most	Maximum usage hours		
	SpareCut		Most	Maximum usage time		
	Return		▲	Return to previous menu		
Control			CH01- 40	Channel control by hand		
AssiToo I	Factory					
	Defaults					
	Redress	Pan	0-255		Pan adjustment	
		Tilt			Tilt adjustment	
		FixeGobo			FixGobo adjustment	
		RotGobos			RotGobo adjustment	
		Colour			Colour adjustment	
		Focus			Focus adjustment	
		Colorful			Colorful adjustment	
		Shutter			Shutter adjustment	
		Prism			Prism adjustment	
		Prism2			Prism2 adjustment	
		Brume				Frost adjustment
		Zoom				Zoom adjustment
	Return	▲		Return to previous menu		
	ChDefine			Custom channel setting(No function)		
	Brighten		▲	Factory setup, not open to customers		
Checksum			Zero adjustment, factory Settings, must check the code 1, 2, 3, 4 to enter			
Return		▲	Return to previous menu			
ChanLevel			CH00-40	Channel level display		
Reset			Annu	Light Reset		
			Exec	Cancel reset		
ExitMenu			▲	Exit menu		

Maintenance

To prolong the life of the projector, some maintenance work has to be done to ensure the optical system in good condition. If the projector does not function, check the fuses on the power socket of the projector, they should only be replaced by fuses of the same specification. Should these be damaged, call a qualified technician before replacement. The projector has thermal protection device that will switch off the projector in case of overheating. Should either of these operate, check that the fans are not blocked, and if they are dirty, clean them before switching on the projector again. Check that the fans are operational, if not, call a qualified technician.

☆**Any maintenance work should only be carried out by qualified technicians.**

Keeping The Product Clean

To ensure the reliability of the projector, it should be kept clean. It is recommended that the fans should be cleaned every 15 days. The lens and dichroic colour filters should also be regularly cleaned to maintain an optimum light output.

Do NOT use any type of solvent on dichroic colour filters.

Cleaning frequency depends on the environment in which the fixture operates: damp, smoke or particularly dirty surroundings can cause greater accumulation of dirt on the unit's optics. A soft cloth and typical glass cleaning products should be used for cleaning. It is recommended to clean the external optics at least once every 15 days and clean the internal optics at least once every 60 / 90 days.

☆**Do not use any organic solvent, e.g. alcohol, to clean housing of the apparatus.**

Equipment and Appendix:

☆ Super Beam 260W Moving Head Light	1pcs
☆ Power Cable	1pcs
☆ XLR connector	1unit
☆ Light Hook	2pcs
☆ The Product of Instruction	1pcs

Trouble Shooting:

Problem	Answer
The moving head light doesn't switch on.	Check the fuse the power socket Replace the lamp
Although shines, but the moving head lamp doesn't accept the instruction of the controller.	Check the digital start address and also check the connection situation of the communication control line
The moving head lamp only can work intermittently.	Inspect the power supply and voltage is whether normal. Make sure the fan is working well or fans and their filters not blocked
Defective projection	Make sure the lamp is within its life limit Remove dust or grease from the lenses.
The beam appears dim	heck the optics is clean or the lens in good condition(not cracked) Replace with a new lamp of the specified type and rating.

☆Other maintain work should by the specialist which has the experience to carry on.

Channel List:

Channel	Value	Function
CH1 (Color)	0~9	White
	10~14	White + Red
	15~19	Red
	20~24	Red + Orange
	25~29	Orange
	30~34	Orange +Green
	35~39	Green
	40~44	Green + Blue
	45~49	Blue
	50~54	Blue + Yellow

	55~59	Yellow
	60~64	Yellow + Orange Red
	65~69	Orange Red
	70~74	Orange Red + Cool White
	75~79	Cool White
	80~84	Cool White + Rose Red
	85~89	Rose Red
	90~94	Rose Red +Light Green
	95~99	Light Green
	100~104	Light Green + Light Blue
	105~109	Light Blue
	110~114	Light Blue + Light Yellow
	115~119	Light Yellow
	120~124	Light Yellow + Purple
	125~129	Purple
	130~134	Purple + Warm White
	135~139	Warm White
	140~197	Rainbow effect with veering(Fast ~Slow)
	198~255	Rainbow effect with inversion (Slow~Fast)
CH2 (Strobe)	0~3	Strobe Close
	4~103	Strobe speed from slow to fast
	104~107	Open
	108~207	Cut strobe is slow close and fast open
	208~212	Open
	213~251	Random stroboscopic from slow to fast
	252~255	Open
CH3	0~255	Dimming from dark to brightness

CH4 (Gobo)	0~6	Open
	7~13	Gobo 1
	14~20	Gobo 2
	21~27	Gobo 3
	28~34	Gobo 4
	35~41	Gobo 5
	42~47	Gobo 6
	48~53	Gobo 7
	54~59	Gobo 8
	60~65	Gobo 9
	66~71	Gobo 10
	72~77	Gobo 11
	78~83	Gobo 12
	84~89	Gobo 13
	90~95	Gobo 13 shake from slow to fast
	96~100	Gobo 12 shake from slow to fast
	101~105	Gobo 11 shake from slow to fast
	106~110	Gobo 10 shake from slow to fast
	111~115	Gobo 9 shake from slow to fast
	116~120	Gobo 8 shake from slow to fast
	121~125	Gobo 7 shake from slow to fast
	126~130	Gobo 6 shake from slow to fast
	131~135	Gobo 5 shake from slow to fast
	136~140	Gobo 4 shake from slow to fast
	141~145	Gobo 3 shake from slow to fast
	146~150	Gobo 2 shake from slow to fast
151~155	Gobo 1 shake from slow to fast	
156~165	Open	
166~205	Gobo wheel Rot. with veering(Fast ~Slow)	
206~210	Open	
211~255	Gobo wheel Rot. inversion (Slow ~Fast)	

CH5 (Prism Wheel 1)	0~127	No function
	128~255	Prism 1 (P16+8)
CH6 (Prism wheel 1 Rotation)	0~127	Prism rotation positioning
	128~191	Prism reversion rotation from fast to slow
	192~255	Prism veering rotation from slow to fast
CH7 (Prism Wheel 2)	0~127	No function
	128~255	Prism 2 (P16)
CH8 (Prism wheel 2 Rotation)	0~127	Prism rotation positioning
	128~191	Prism veering rotation from fast to slow
	192~255	Prism reversion rotation from slow to fast
CH9	0~255	Linear focusing
CH10	0~255	Pan
CH11	0~255	Pan fine
CH12	0~255	Tilt
CH13	0~255	Tilt fine
CH14	0~255	Pan/ Tilt speed (Fast~slow)
CH15	0~127	No function
	0~255	Linear Frost
CH16	0~127	No function
	0~255	Colourful color prism(it use CH5 and CH7)
CH17 (The lamp control)	0~99	No function
	100~105	Lamp Delay closing
	200~205	Lamp Delay open
CH18 (Reset)	0~249	No function
	250~255	All motor Reset

Technical Parameters:

Voltage : AC100~240V/50-60Hz

Power consumption:420W@(220V)

Bulb: OROSSM 260W lamp

Lamp : OROSSM MSD260R9 LAMP

Color temperature : 8500K

Color: 13 Color + Open, Color half step function

Gobo: 13 Fixed gobo + Open, Gobo shake function

Prism:1Pcs 8+16+24 face rotation prism, Bilateral rotation, Prism superposition function
1Pcs 16-face rotation prism, Bilateral rotation, Prism superposition function

Frost: 1Pcs frost mirror

Focus: Linear focusing

Multi-color mirror: 6 color mirror

Dimmer : 0-100% linear adjustment ,Strobe(0.5-9 times/ second)

Beam angle : Parallel beam angel 0 – 1.9°

Channel : 18CH

Control mode : Standard DMX512, Automatic, Sound and Master-slave mode

Pan: X axis 540°automatically accurate positioning

Tilt: Y axis 270°automatically accurate positioning

Control Panel: LCD screen display panel with buttons, and have English and Chinese menu, can be rotation 180 °

Protection grade:IP20

Net weight:15KG

Gross Weight: 16.5 kg

Package Size: 390 x 320x 66.50cm

